

DN14.30T

Lavoce

1.4" COMPRESSION DRIVER

NEODYMIUM MAGNET



- 3 INCH EDGEWOUND CCA VOICE COIL
- 108 dB/SPL SENSITIVITY
- 220 W PROGRAM POWER HANDLING
- FEM OPTIMIZED MOTOR, PHASEPLUG AND DIAPHRAGM
- 500 - 18000 Hz FREQUENCY RANGE
- TITANIUM DIAPHRAGM

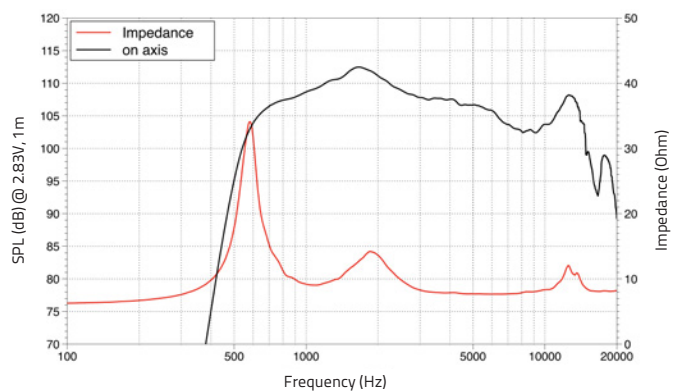
GENERAL SPECIFICATIONS

| | | |
|----------------------------|----------------------|-------------|
| Throat diameter | mm (in.) | 36 (1.4) |
| Nominal impedance | Ω | 8 |
| Minimum impedance | Ω | 7,6 |
| Program power (1) | W | 220 |
| AES Power rating (2) | W | 110 |
| Sensitivity (3) | dB | 108 |
| Frequency range | Hz | 500 ÷ 18000 |
| Voice coil diameter | mm (in.) | 75 (3) |
| Magnet material | Neodymium | |
| Magnet OD | mm (in.) | 115 (4.5) |
| Coil material | Edgewound CCA | |
| Former material | Kapton | |
| Diaphragm material | Titanium | |
| Surround material | Titanium | |
| Voice coil Inductance | mH | 0,1 |
| Flux density | T | 1,9 |
| Recommended crossover (4) | Hz | 1200 |
| Driver displacement volume | l (ft ³) | 0,5 (0.018) |

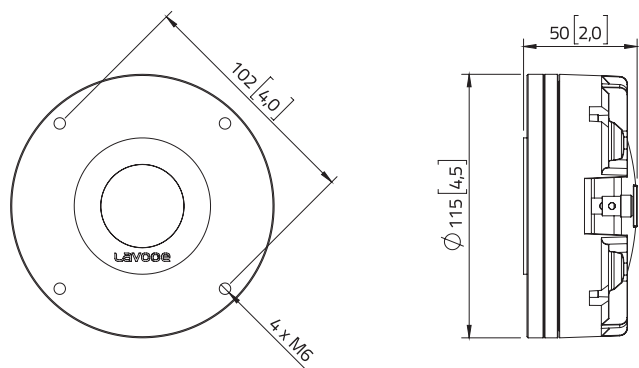
SHIPPING INFORMATION

| | | |
|--------------------|----------|----------------------------------|
| Net weight | kg (lb.) | 1,4 (3.1) |
| Multipack size (9) | mm (in.) | 457 x 421 x 98 (18 x 16.6 x 3.9) |
| Multipack weight | kg (lb.) | 14,8 (32.6) |

FREQUENCY RESPONSE



DIMENSIONS mm (in.)



(1) Program power is defined as 3 dB greater than AES Power. (2) Horn loaded test for 2h with continuous, band-limited (1000-20000 Hz, 12dB/oct.) pink noise as per AES 2-1984 Rev. 2003. (3) Measured on axis at 2.83V, 1m, driver loaded with HD1403 horn, SPL averaged in the frequency range 500 ÷ 18000 Hz. (4) High pass filter with slope 12dB/oct. or higher.

All specifications subject to change without notice_B.a

WWW.LAVOCESPEAKERS.COM



Lavoce Italiana

sales@lavocespeakers.com sales.cn@lavocespeakers.com